

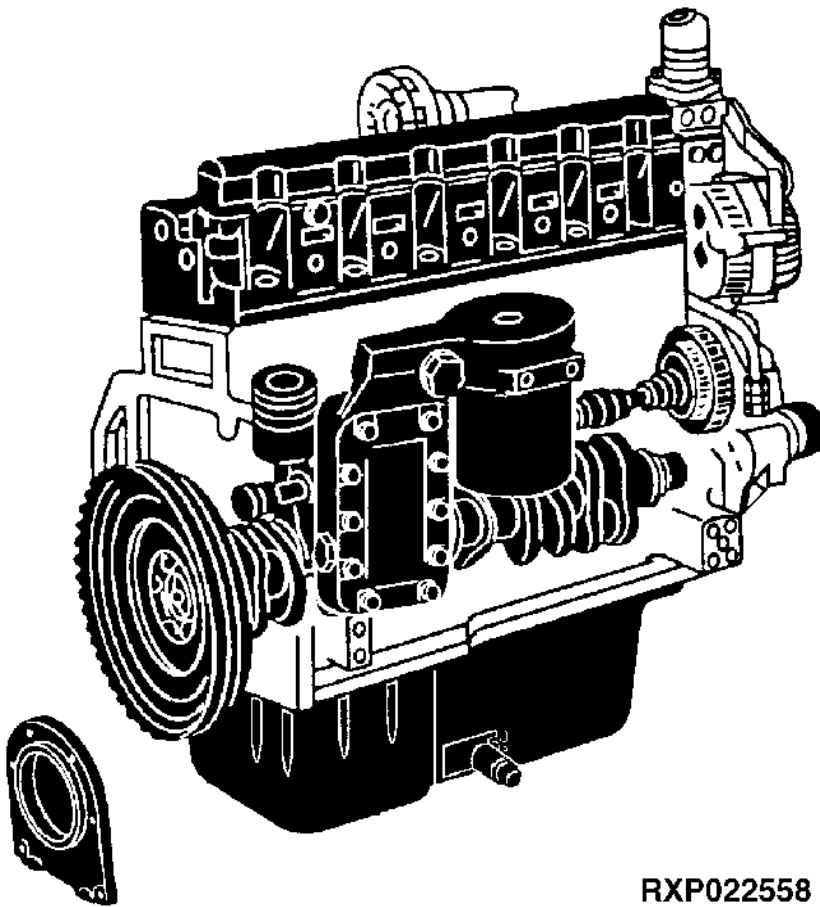
1A2

8100, 8200, 8300, 8400 TRACTORS

PRIMARY INDEX
INDEX PRINCIPAL
HAUPTINDEX
INDICE PRINCIPALE
INDICE DE MATERIAS
HUVUDFORTECKNING
RXP022558 -UN-11MAY99

20 -	1D10
30 -	2D6
40 -	3D12
41 -	3I9
42 -	4D3
43 -	4E4
51 -	4E19
53 -	5D3
54 -	5E13
60 -	6D4
70 -	7D5
71 -	8D2
80 -	8E4
90 -	8H3
91 -	9D3
92 -	9F15

20



RXP022558

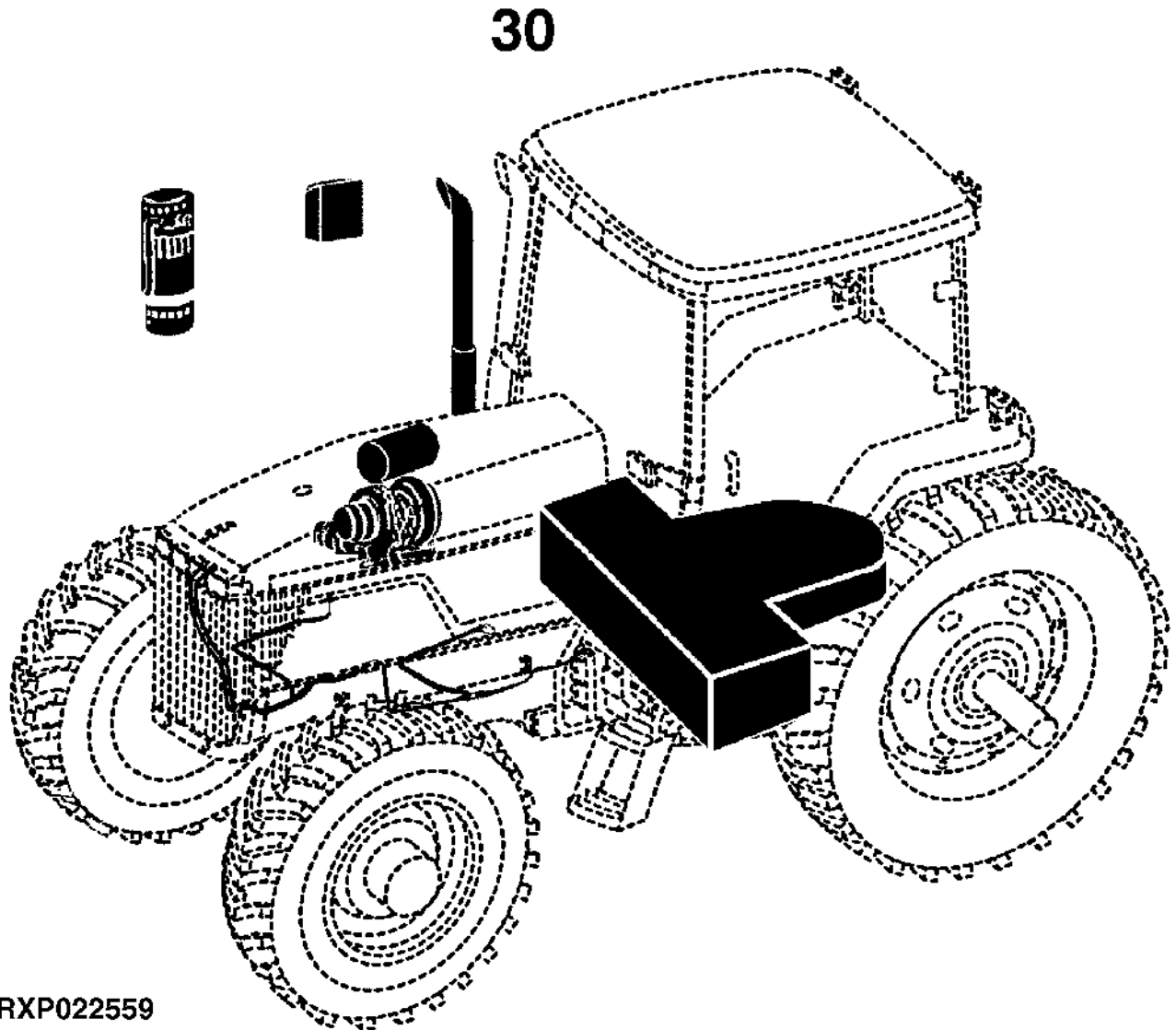
1A3

8100, 8200, 8300, 8400 TRACTORS

PRIMARY INDEX
INDEX PRINCIPAL
HAUPTINDEX
INDICE PRINCIPALE
INDICE DE MATERIAS
HUVUDFORTECKNING

RXP022559 -UN-11MAY99

20 -	1D10
30 -	2D6
40 -	3D12
41 -	3I9
42 -	4D3
43 -	4E4
51 -	4E19
53 -	5D3
54 -	5E13
60 -	6D4
70 -	7D5
71 -	8D2
80 -	8E4
90 -	8H3
91 -	9D3
92 -	9F15



RXP022559

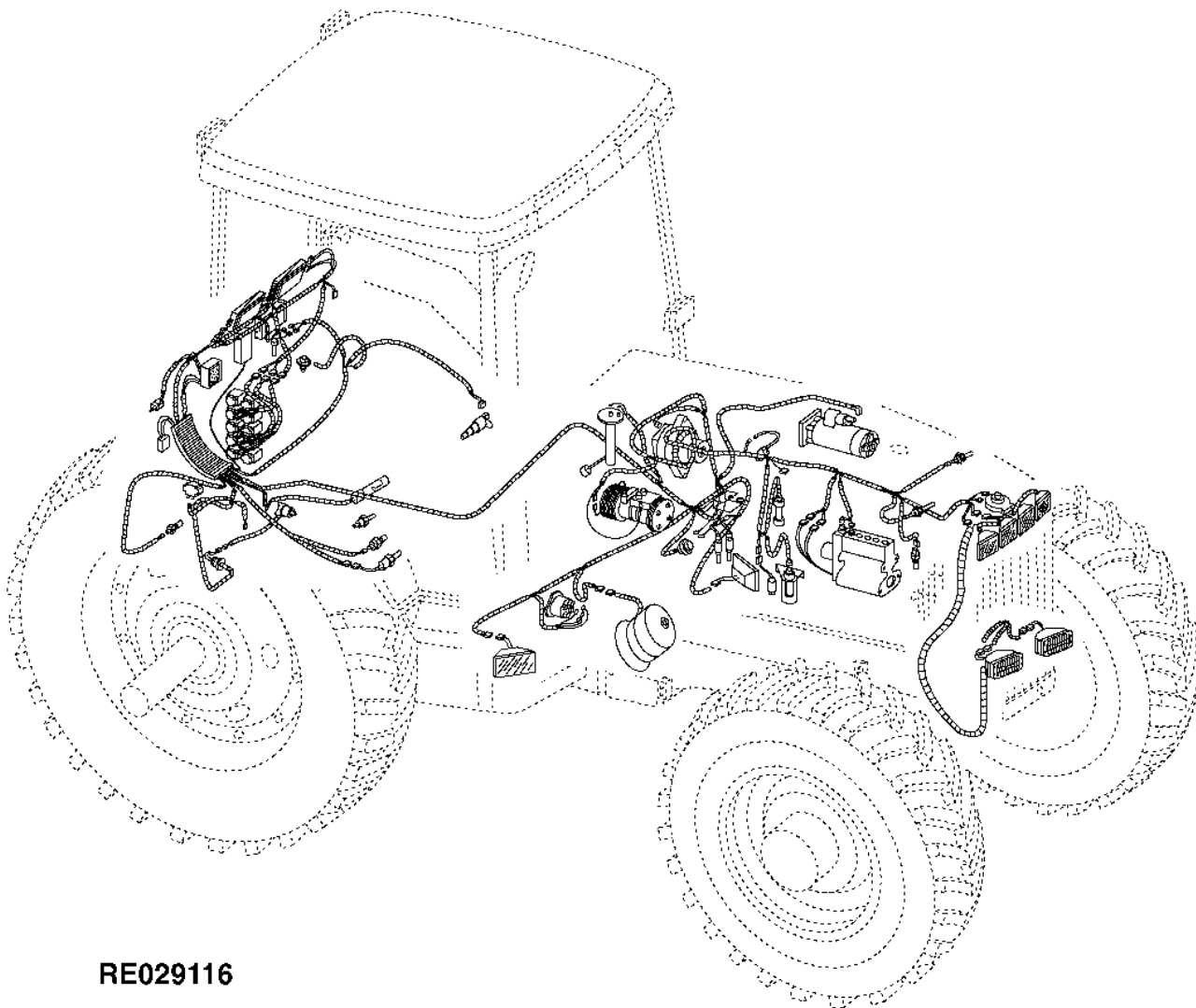
1A4

8100, 8200, 8300, 8400 TRACTORS

PRIMARY INDEX
INDEX PRINCIPAL
HAUPTINDEX
INDICE PRINCIPALE
INDICE DE MATERIAS
HUVUDFORTECKNING
RE029116 -UN-10MAY99

20 -	1D10
30 -	2D6
40 -	3D12
41 -	3I9
42 -	4D3
43 -	4E4
51 -	4E19
53 -	5D3
54 -	5E13
60 -	6D4
70 -	7D5
71 -	8D2
80 -	8E4
90 -	8H3
91 -	9D3
92 -	9F15

40



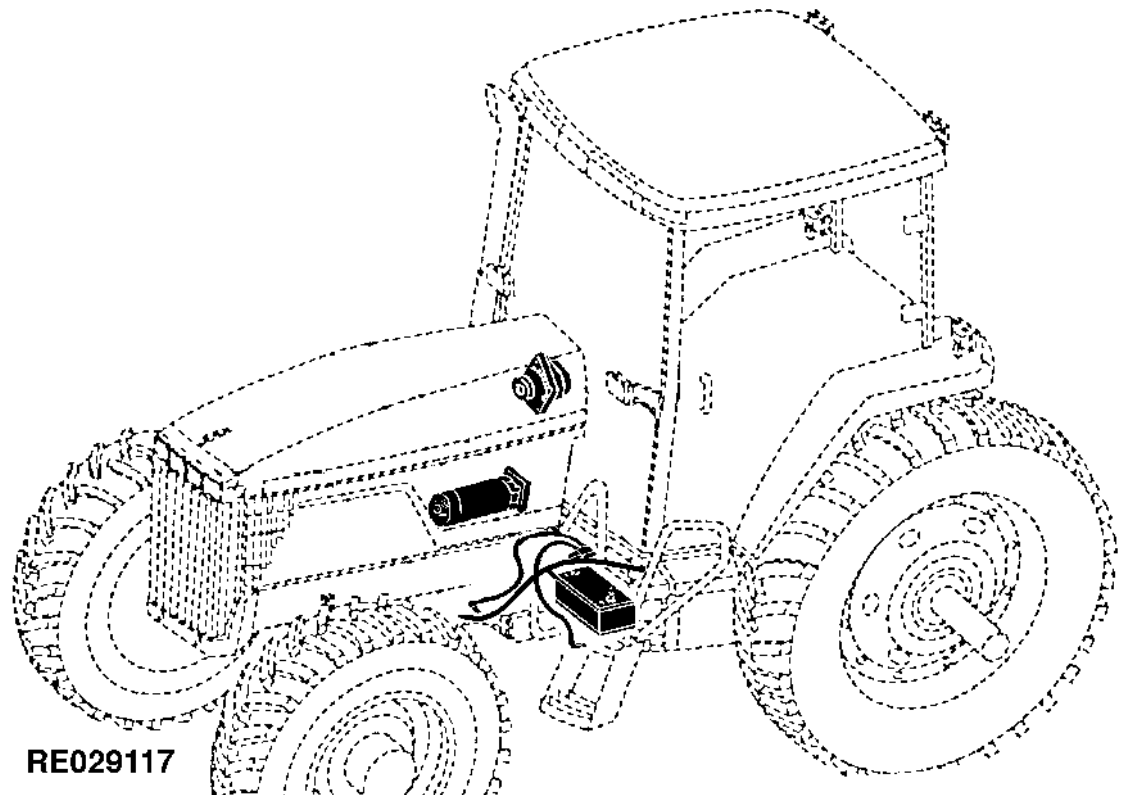
RE029116

PRIMARY INDEX
INDEX PRINCIPAL
HAUPTINDEX
INDICE PRINCIPALE
INDICE DE MATERIAS
HUVUDFORTECKNING

RE029117 -UN-10MAY99

20 -	1D10
30 -	2D6
40 -	3D12
41 -	3I9
42 -	4D3
43 -	4E4
51 -	4E19
53 -	5D3
54 -	5E13
60 -	6D4
70 -	7D5
71 -	8D2
80 -	8E4
90 -	8H3
91 -	9D3
92 -	9F15

41



**Thanks very much for your reading,
Want to get more information,
Please click here, Then get the complete
manual**

JustClickHere 

NOTE:

**If there is no response to click on the link above,
please download the PDF document first, and then
click on it.**

**Have any questions please write to me:
admin@servicemanualperfect.com**

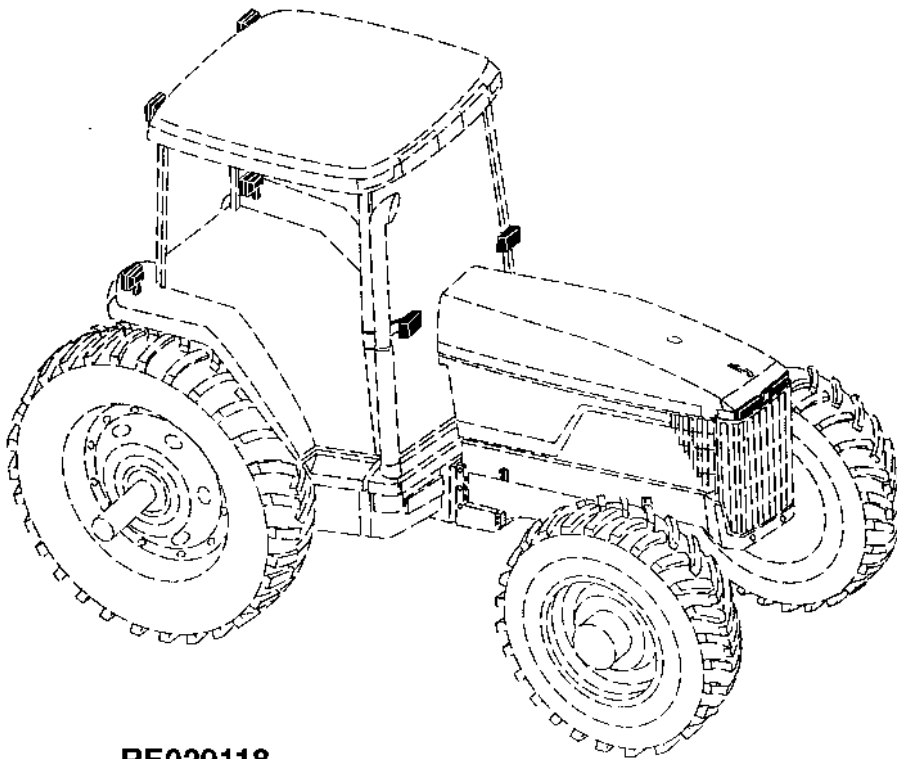
1A6

8100, 8200, 8300, 8400 TRACTORS

PRIMARY INDEX
INDEX PRINCIPAL
HAUPTINDEX
INDICE PRINCIPALE
INDICE DE MATERIAS
HUVUDFORTECKNING
RE029118 -UN-10MAY99

20 -	1D10
30 -	2D6
40 -	3D12
41 -	3I9
42 -	4D3
43 -	4E4
51 -	4E19
53 -	5D3
54 -	5E13
60 -	6D4
70 -	7D5
71 -	8D2
80 -	8E4
90 -	8H3
91 -	9D3
92 -	9F15

42



RE029118

PRIMARY INDEX
INDEX PRINCIPAL
HAUPTINDEX
INDICE PRINCIPALE
INDICE DE MATERIAS
HUVUDFORTECKNING

RE029503 -UN-11MAY99

20 -	1D10
30 -	2D6
40 -	3D12
41 -	3I9
42 -	4D3
43 -	4E4
51 -	4E19
53 -	5D3
54 -	5E13
60 -	6D4
70 -	7D5
71 -	8D2
80 -	8E4
90 -	8H3
91 -	9D3
92 -	9F15

43



RE029503

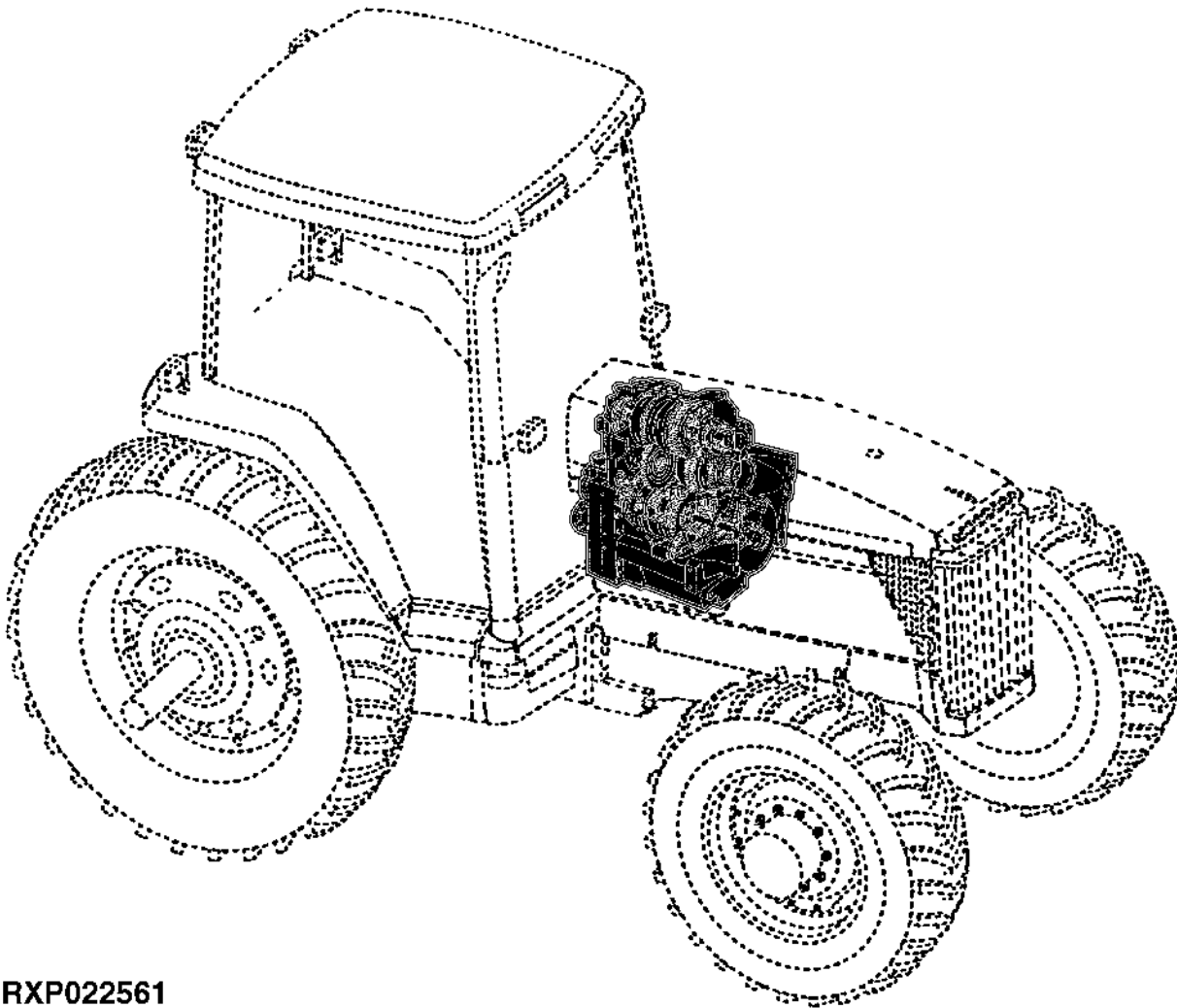
1A8

8100, 8200, 8300, 8400 TRACTORS

PRIMARY INDEX
INDEX PRINCIPAL
HAUPTINDEX
INDICE PRINCIPALE
INDICE DE MATERIAS
HUVUDFORTECKNING
RXP022561 -UN-09JUN98

20 -	1D10
30 -	2D6
40 -	3D12
41 -	3I9
42 -	4D3
43 -	4E4
51 -	4E19
53 -	5D3
54 -	5E13
60 -	6D4
70 -	7D5
71 -	8D2
80 -	8E4
90 -	8H3
91 -	9D3
92 -	9F15

51



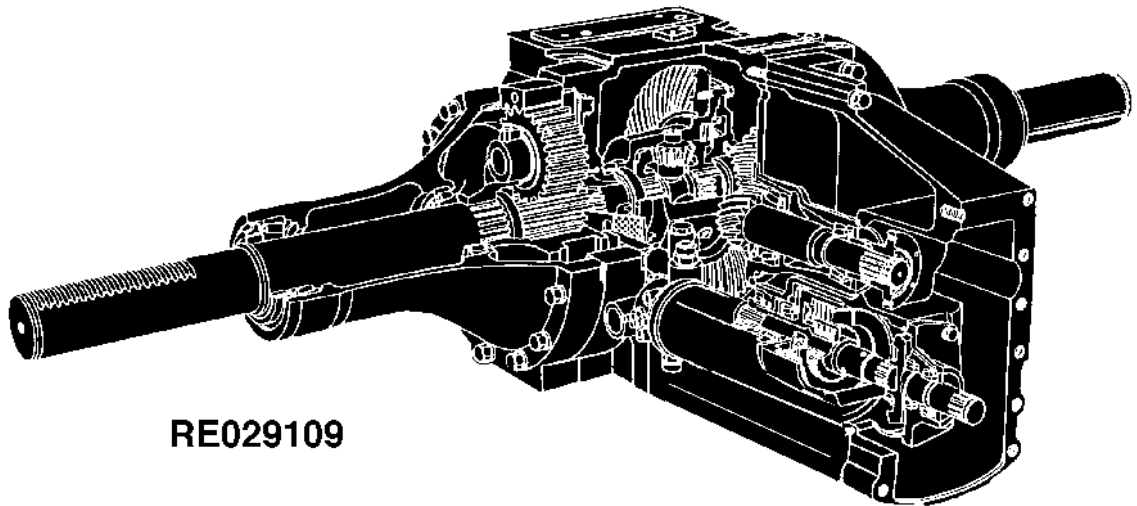
RXP022561

PRIMARY INDEX
INDEX PRINCIPAL
HAUPTINDEX
INDICE PRINCIPALE
INDICE DE MATERIAS
HUVUDFORTECKNING

RE029109 -UN-10MAY99

20 -	1D10
30 -	2D6
40 -	3D12
41 -	3I9
42 -	4D3
43 -	4E4
51 -	4E19
53 -	5D3
54 -	5E13
60 -	6D4
70 -	7D5
71 -	8D2
80 -	8E4
90 -	8H3
91 -	9D3
92 -	9F15

53



1A10

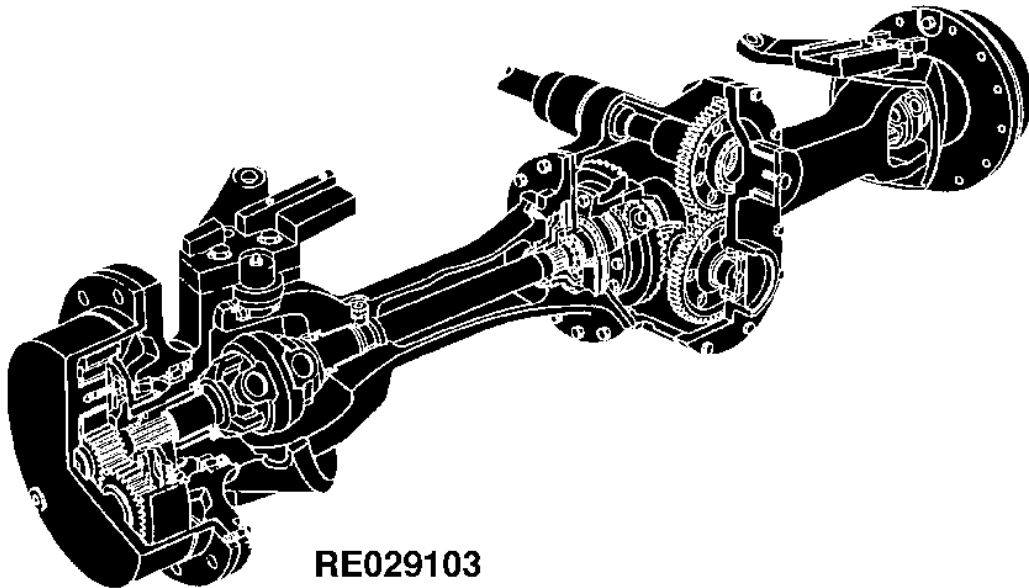
8100, 8200, 8300, 8400 TRACTORS

PRIMARY INDEX
INDEX PRINCIPAL
HAUPTINDEX
INDICE PRINCIPALE
INDICE DE MATERIAS
HUVUDFORTECKNING

RE029103 -UN-10MAY99

20 -	1D10
30 -	2D6
40 -	3D12
41 -	3I9
42 -	4D3
43 -	4E4
51 -	4E19
53 -	5D3
54 -	5E13
60 -	6D4
70 -	7D5
71 -	8D2
80 -	8E4
90 -	8H3
91 -	9D3
92 -	9F15

54

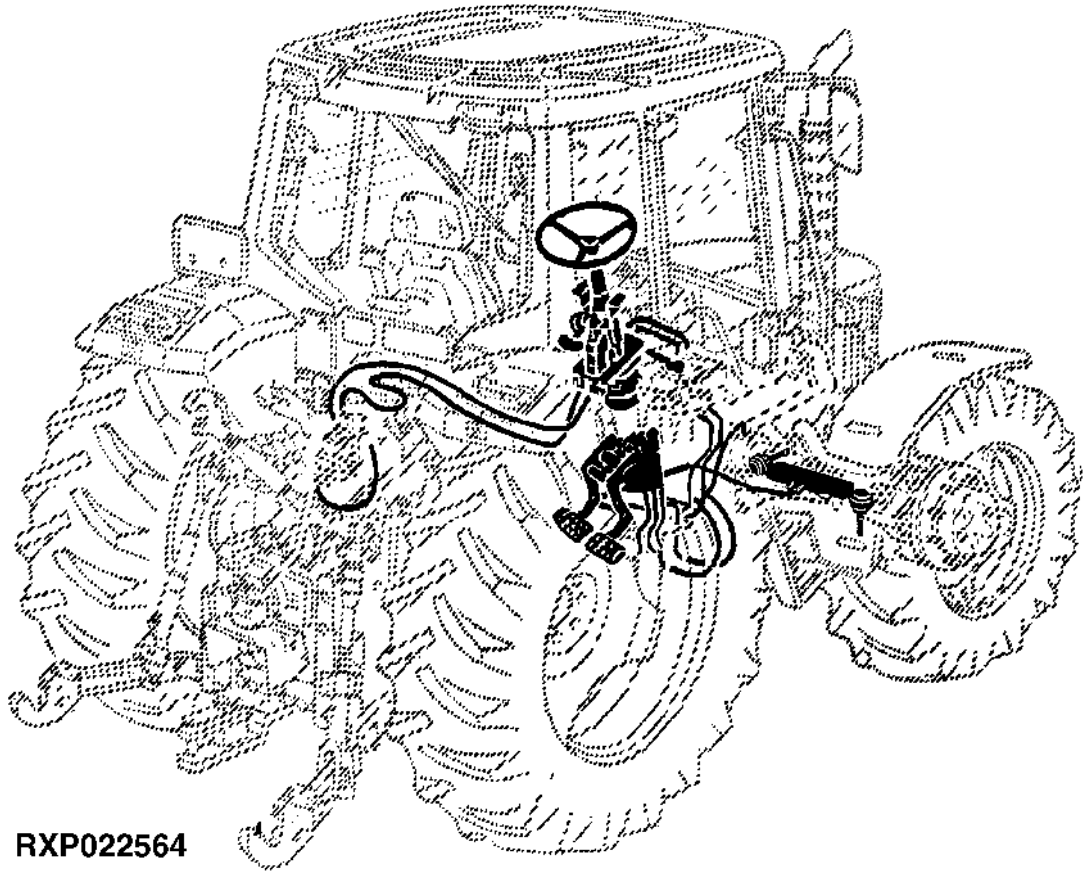


PRIMARY INDEX
INDEX PRINCIPAL
HAUPTINDEX
INDICE PRINCIPALE
INDICE DE MATERIAS
HUVUDFORTECKNING

RXP022564 -UN-11MAY99

20 -	1D10
30 -	2D6
40 -	3D12
41 -	3I9
42 -	4D3
43 -	4E4
51 -	4E19
53 -	5D3
54 -	5E13
60 -	6D4
70 -	7D5
71 -	8D2
80 -	8E4
90 -	8H3
91 -	9D3
92 -	9F15

60



RXP022564

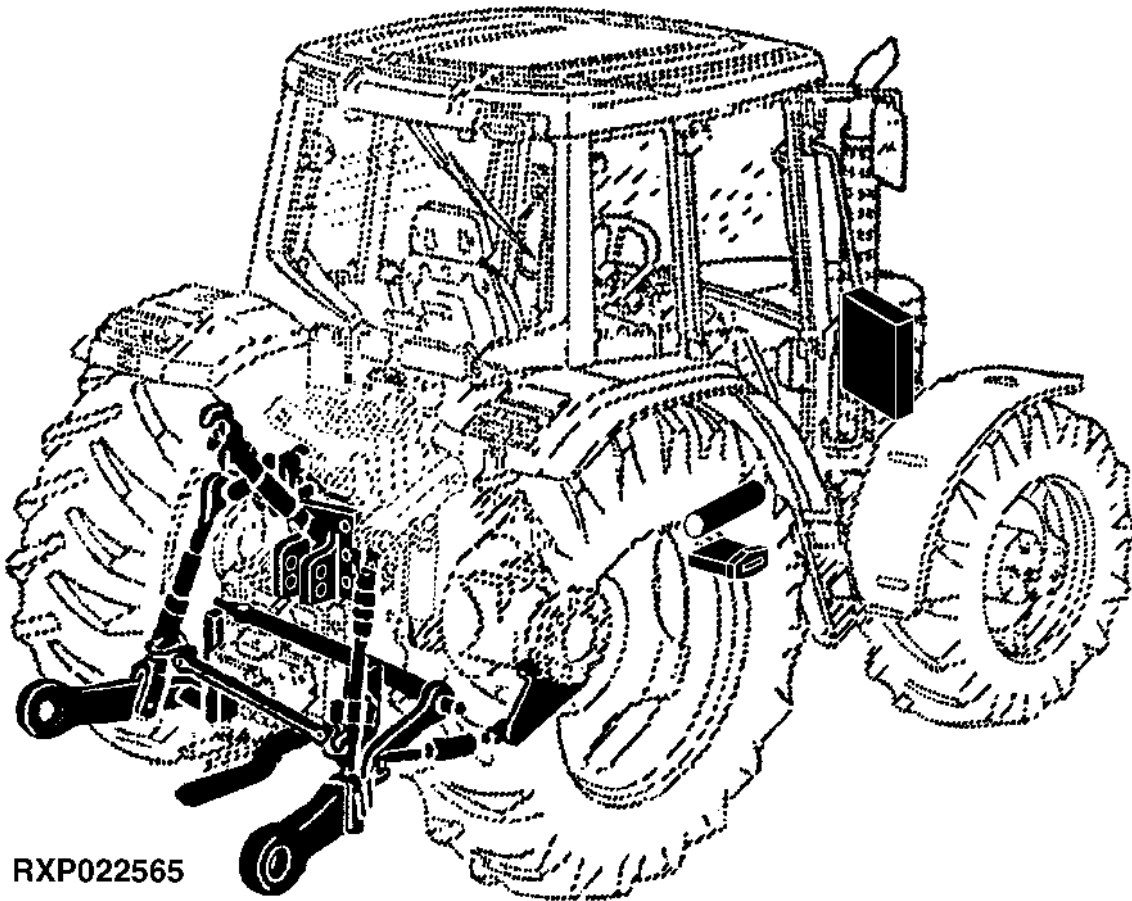
1A12

8100, 8200, 8300, 8400 TRACTORS

PRIMARY INDEX
INDEX PRINCIPAL
HAUPTINDEX
INDICE PRINCIPALE
INDICE DE MATERIAS
HUVUDFORTECKNING
RXP022565 -UN-11MAY99

20 -	1D10
30 -	2D6
40 -	3D12
41 -	3I9
42 -	4D3
43 -	4E4
51 -	4E19
53 -	5D3
54 -	5E13
60 -	6D4
70 -	7D5
71 -	8D2
80 -	8E4
90 -	8H3
91 -	9D3
92 -	9F15

70



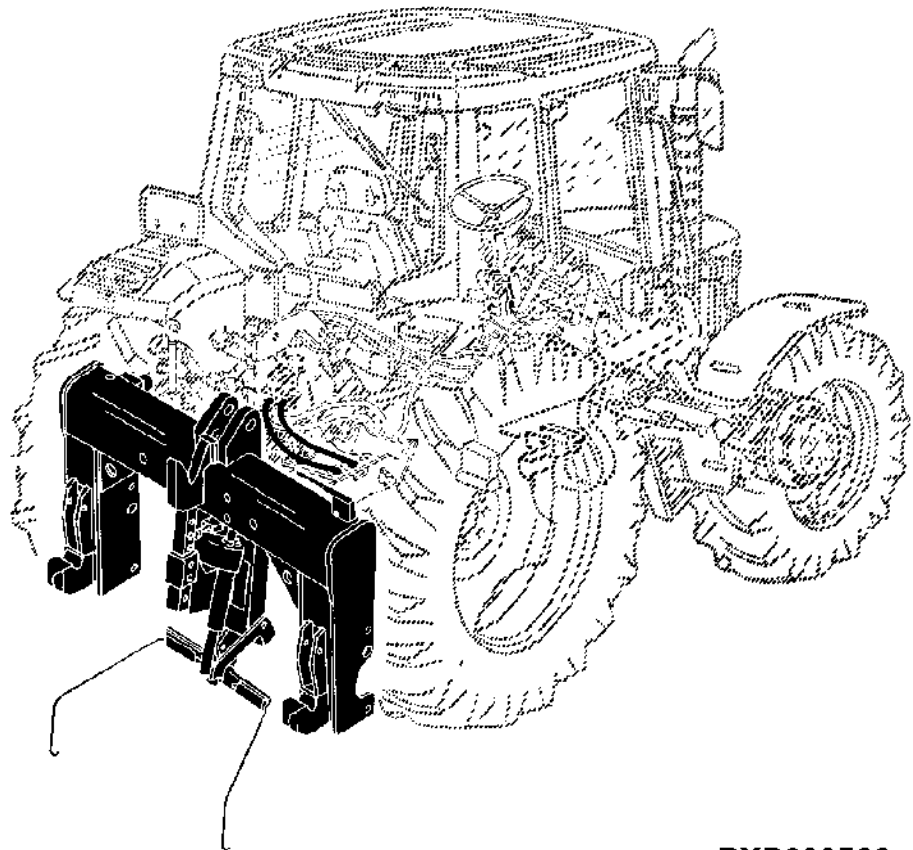
RXP022565

PRIMARY INDEX
INDEX PRINCIPAL
HAUPTINDEX
INDICE PRINCIPALE
INDICE DE MATERIAS
HUVUDFORTECKNING

RXP022566 -UN-11MAY99

20 -	1D10
30 -	2D6
40 -	3D12
41 -	3I9
42 -	4D3
43 -	4E4
51 -	4E19
53 -	5D3
54 -	5E13
60 -	6D4
70 -	7D5
71 -	8D2
80 -	8E4
90 -	8H3
91 -	9D3
92 -	9F15

71



RXP022566

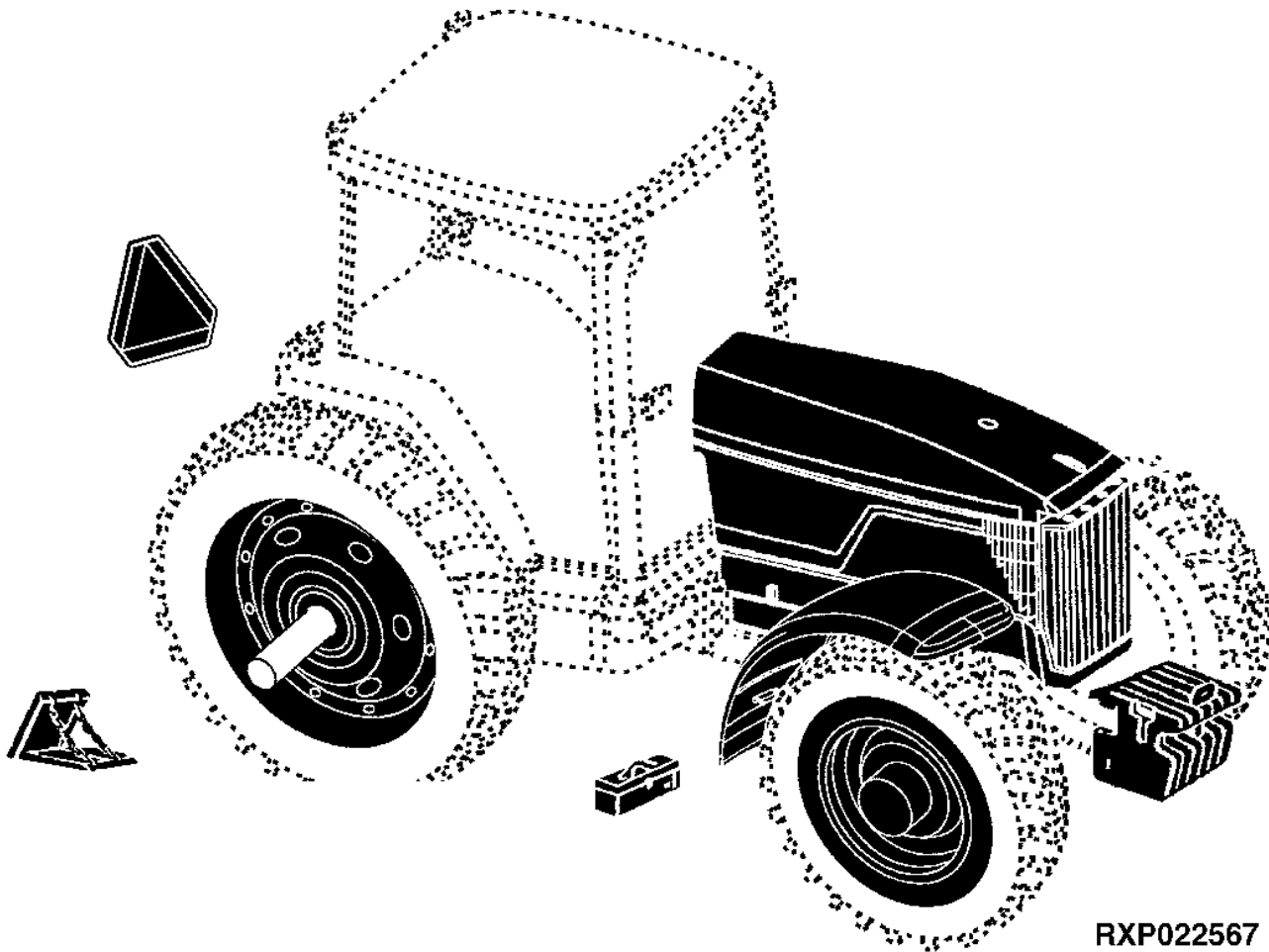
1A14

8100, 8200, 8300, 8400 TRACTORS

PRIMARY INDEX
INDEX PRINCIPAL
HAUPTINDEX
INDICE PRINCIPALE
INDICE DE MATERIAS
HUVUDFORTECKNING
RXP022567 -UN-11MAY99

20 -	1D10
30 -	2D6
40 -	3D12
41 -	3I9
42 -	4D3
43 -	4E4
51 -	4E19
53 -	5D3
54 -	5E13
60 -	6D4
70 -	7D5
71 -	8D2
80 -	8E4
90 -	8H3
91 -	9D3
92 -	9F15

80



RXP022567

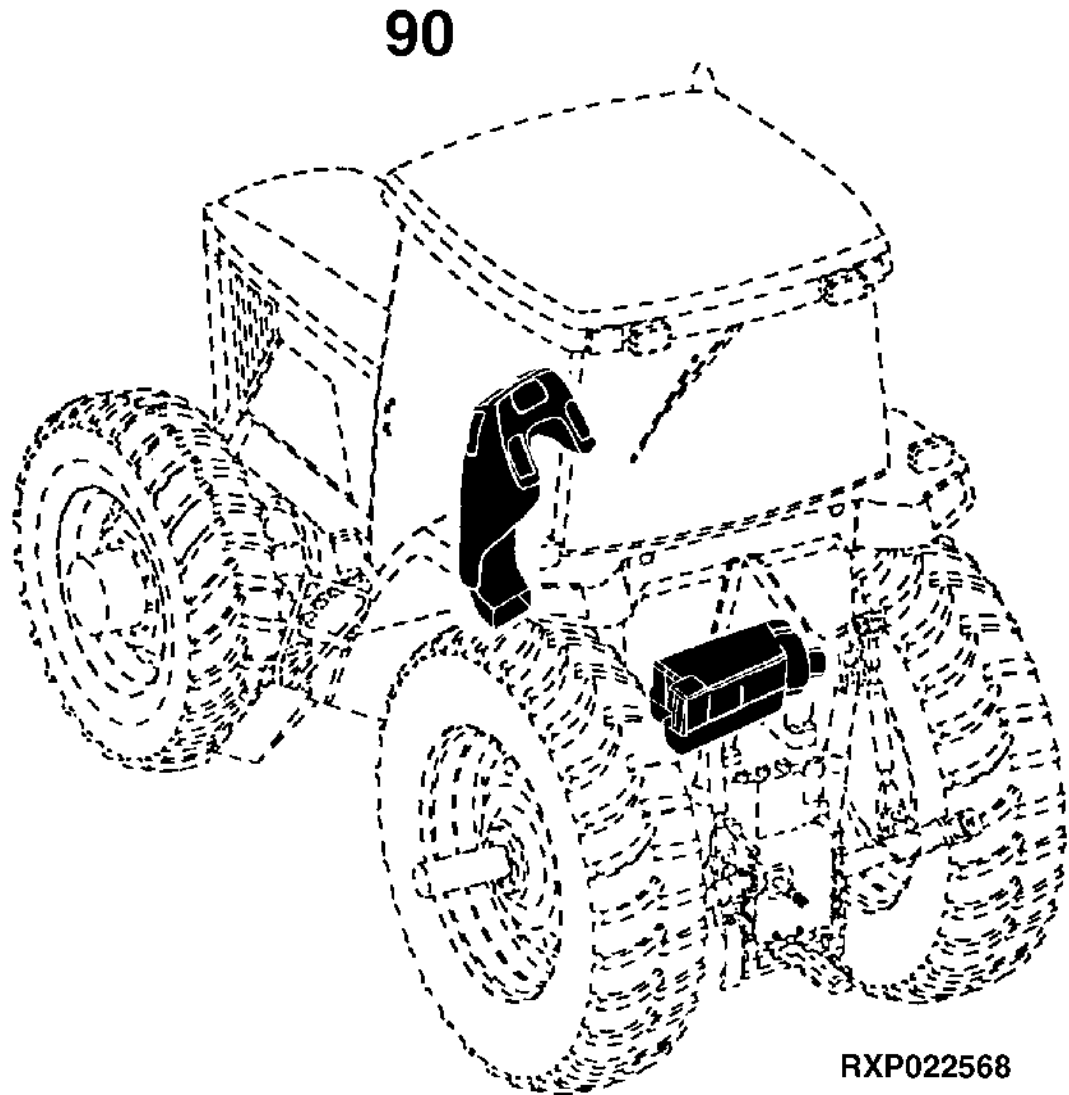
1A15

8100, 8200, 8300, 8400 TRACTORS

PRIMARY INDEX
INDEX PRINCIPAL
HAUPTINDEX
INDICE PRINCIPALE
INDICE DE MATERIAS
HUYUDFORTECKNING

RXP022568 -UN-11MAY99

20 -	1D10
30 -	2D6
40 -	3D12
41 -	3I9
42 -	4D3
43 -	4E4
51 -	4E19
53 -	5D3
54 -	5E13
60 -	6D4
70 -	7D5
71 -	8D2
80 -	8E4
90 -	8H3
91 -	9D3
92 -	9F15



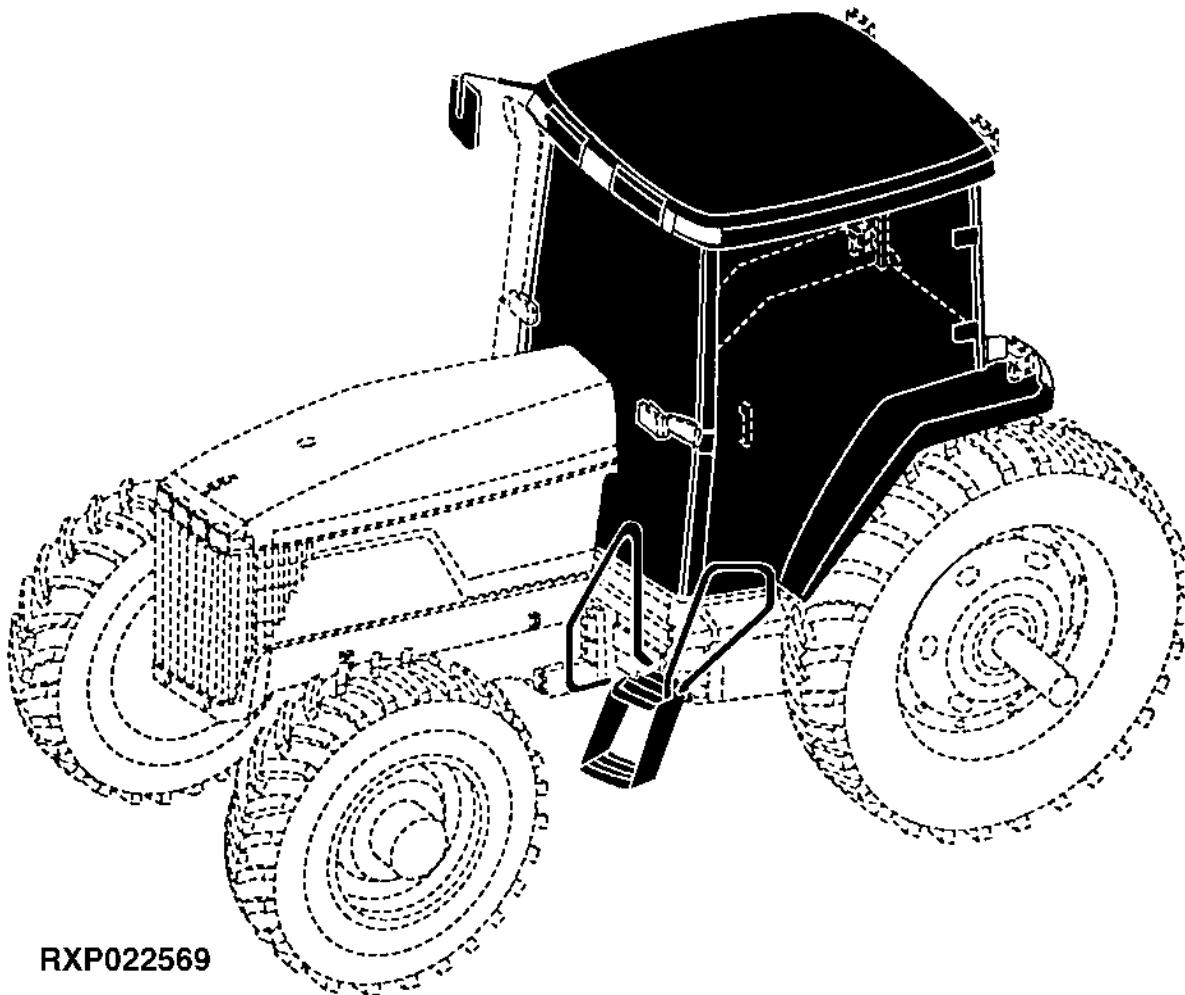
1A16

8100, 8200, 8300, 8400 TRACTORS

PRIMARY INDEX
INDEX PRINCIPAL
HAUPTINDEX
INDICE PRINCIPALE
INDICE DE MATERIAS
HUYUDFORTECKNING
RXP022569 -UN-11MAY99

20 -	1D10
30 -	2D6
40 -	3D12
41 -	3I9
42 -	4D3
43 -	4E4
51 -	4E19
53 -	5D3
54 -	5E13
60 -	6D4
70 -	7D5
71 -	8D2
80 -	8E4
90 -	8H3
91 -	9D3
92 -	9F15

91



RXP022569

1A17

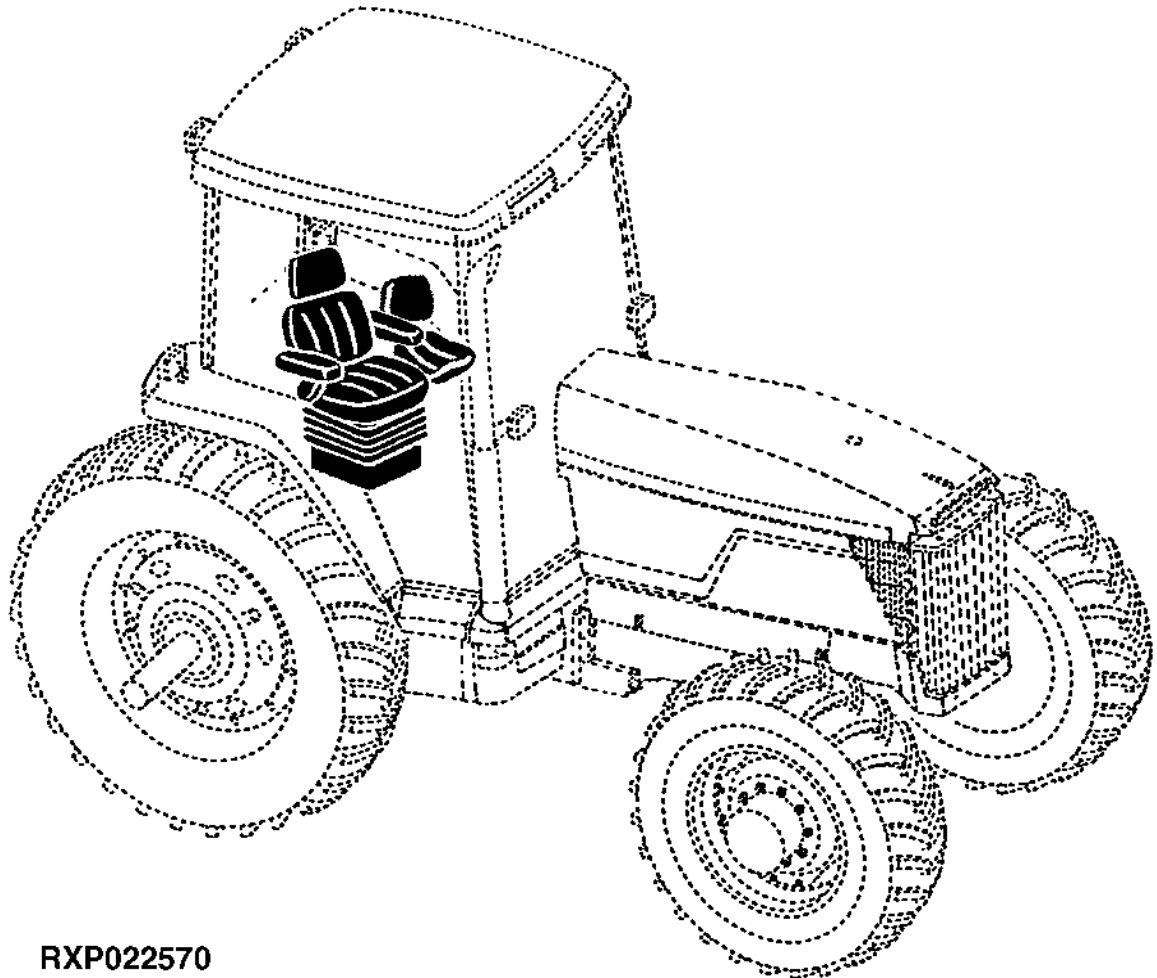
8100, 8200, 8300, 8400 TRACTORS

PRIMARY INDEX
INDEX PRINCIPAL
HAUPTINDEX
INDICE PRINCIPALE
INDICE DE MATERIAS
HUYUDFORTECKNING

RXP022570 -UN-11MAY99

20 -	1D10
30 -	2D6
40 -	3D12
41 -	3I9
42 -	4D3
43 -	4E4
51 -	4E19
53 -	5D3
54 -	5E13
60 -	6D4
70 -	7D5
71 -	8D2
80 -	8E4
90 -	8H3
91 -	9D3
92 -	9F15

92



RXP022570

1A18

8100, 8200, 8300, 8400 TRACTORS

RXP010147 -UN-01JAN94



*JOHN DEERE 8100, 8200, 8300 OR 8400 TRACTOR
(MANUFACTURED 1994-)*

(SPECIFICATIONS AND DESIGN SUBJECT TO CHANGE WITHOUT NOTICE)

COPYRIGHT (C) 1999. DEERE & COMPANY, MOLINE, ILLINOIS. ALL RIGHTS RESERVED.

CODES USED IN "REMARKS" COLUMN

RXP022211 -UN-01JUL97

	ENGLISH	FRANCAIS	DEUTSCH
ALSO ORDER	ALSO ORDER	COMMANDER AUSSI	EBENSO BESTELLEN
AMP	AMPERE	AMPERE	AMPERE
AND	AND	ET	UND
APPL	THIS APPLICATION ONLY	UNIQUEMENT POUR CETTE UTILISATION	NUR FUR DIESE ANWENDUNG
AR	AS REQUIRED	SELON LE BESOIN	NACH BEDARF
ASSY	COMPLETE ASSEMBLY	ENSEMBLE COMPLET	KOMPLETTE BAUGRUPPE
COMPLETE	COMPLETE	COMPLET	VOLLSTANDIG
FRONT	FRONT	AVANT	VORN
HP	HORSEPOWER	PUISSANCE EN CV	PFERDESTARKE
ID	INSIDE DIAMETER	DIAMETRE INTERIEUR	INNENDURCHMESSER
INCL KEYS	INCLUDES KEYS	COMPREND LES REPERES...	EINSCHLIEBLICH TEILE
KIT	KIT	JEU	SATZ
LH	LEFT-HAND	GAUCHE	LINKS
LOW	LOWER	INFERIEUR	UNTEN
MARKED	MARKED	MARQUE	MARKIERT
MF	MAKE FROM	REALISER AVEC	HERSTELLEN VON
MFWD	MECHANICAL FRONT WHEEL DRIVE	TRACTION AVANT MECANIQUE	MECHANISCHER FRONTRADANTRIEB
NA	NOT USED THIS APPLICATION	NE SERT PAS POUR CETTE APPLICATION	IN DIESER ANWENDUNG NICHT BENUTZT
NLA	NO LONGER AVAILABLE	EPUISE	NICHT MEHR LIEFERBAR
NSEP	NOT SUPPLIED SEPARATELY	NON LIVRE SEPAREMENT	EINZELN NICHT LIEFERBAR
OD	OUTSIDE DIAMETER	DIAMETRE EXTERIEUR	AUBENDURCHMESSER
OR	OR	OU	ODER
ORD	ORDER	COMMANDER	BESTELLE
OS	OVERSIZE	SURDIMENSIONNE	UEBERGROSSE
PKG	PACKAGE	PAR PAQUET DE	VERPACKT ZU
REAR	REAR	ARRIERE	HINTEN
RH	RIGHT-HAND	DROIT	RECHTS
STD	STANDARD	STANDARD	STANDARD
SUB	REPLACED BY	REPLACE PAR	ERSETZT DURCH
SUB FOR	SUBSTITUTES FOR	REPLACE	ERSATZ FUR
TK	THICKNESS	EPAISSEUR	STARKE
UP	UPPER	SUPERIEUR	OBEN
US	UNDERSIZE	SOUS-DIMENSIONNE	UNTERGROSSE
USE WITH	USE WITH	A UTILISER AVEC	BENUTZEN MIT
W /	WITH	AVEC	MIT
W/O	WITHOUT	SANS	OHNE
Z	GEAR AND SPROCKET TEETH NUMBER	NOMBRE DE DENTS DES PIGNONS	ZAHNEZAHL FUR KETTEN- UND ZAHNRAD

RXP022211

CODES USED IN "REMARKS" COLUMN

RXP9419 -UN-26AUG94

	ITALIANO	ESPANOL	SVENSKA
ALSO ORDER	ORDINARE ANCHE	PEDIR TAMBIEN	BESTALL AVEN
AMP	AMPERE	AMPERIO	AMPERE
AND	E	Y	OCH
APPL	SOLO PER QUESTO IMPIEGO	TAN SOLO PARA ESTE PROPOSITO	ENDAST FOR DENNA ANVANDNING
AR	SECONDO NECESSITA	SEGUN NECESIDAD	VID BEHOV
ASSY	GRUPPO COMPLETO	CONJUNTO COMPLETO	KOMPLETT SATS
COMPLETE	COMPLETO	COMPLETO	FULLSTANDIG
FRONT	ANTERIORE	FRENTE	FRAM
HP	POTENZA IN CAVALLI	POTENCIA	HASTKRAFT
ID	DIAMETRO INTERNO	DIAMETRO INTERIOR	INRE DIAMETER
INCL KEYS	CHIAVETTE INCLUSE	INCLUYE LAS POSICIONES	INKLUSIVE NYCKLAR
KIT	CORREDO	JUEGO	SATS
LH	SINISTRA	IZQUIERDA	VANSTER SIDA
LOW	INFERIORE	MAS BAJO	NEDRE
MARKED	MARCATO	MARCADO	MARKT
MF	FABBRICARE DI	HACER DE	TILLVERKA AV
MFWD	TRAZIONE ANTERIORE MECCANICA	TRACCION DELANTERA MECANICA	MEKANISK FRAMHJULSDRIFT
NA	NON USATO IN QUESTA APPLICAZIONE	NO SE USA EN ESTA APLICACION	EJ ANVAND I DETTA SAMMANHANG
NLA	NON PIU' DISPONIBILE	DESCONTINUADO	EJ LANGRE TILLGANGLIG
NSEP	NON LORNITO SEPARATAMENTE	NO SE SUMINISTRA POR SEPARADO	KAN EJ ERHALLAS SEPARAT
OD	DIAMETRO ESTERNO	DIAMETRO EXTERIOR	YTTRE DIAMETER
OR	OPPURE	O	ELLER
ORD	ORDINARE	PIDASE	ORDER, REKVISITION
OS	EXTRA GRANDE	SOBRETAMANO	OEVERDIMENSIONERAD
PKG	IN CONFEZIONE DA	POR PAQUETE DE	I SATS ELLER PAKET
REAR	POSTERIORE	TRASERO	BAK, BAKRE
RH	DESTRA	DERECHA	HOGER
STD	STANDARD	NORMAL	STANDARD
SUB	SOSTITUITO PER	SUSTITUIDO POR	ERSATT MED
SUB FOR	SOSTITUISCE	SUSTITUCION PARA	ERSATTER
TK	SPESSORE	ESPESOR	TJOCKLEK
UP	SUPERIORE	SUPERIOR	OEVRE
US	EXTRA PICCOLO	SUBTAMANO	UNDERDIMENSIONERAD
USE WITH	USARE CON	USAR CON	ANVAND MED
W /	CON	CON	MED, INKLUSIVE
W/O	SENZA	SIN	UTAN, EXKLUSIVE
Z	NO. DENTI CORONA O PIGNONE	NUMERO DE DIENTES DE LOS ENGRANAJES	ANTAL TANDER PA DREV OCH KUGGHJUL

RXP9419